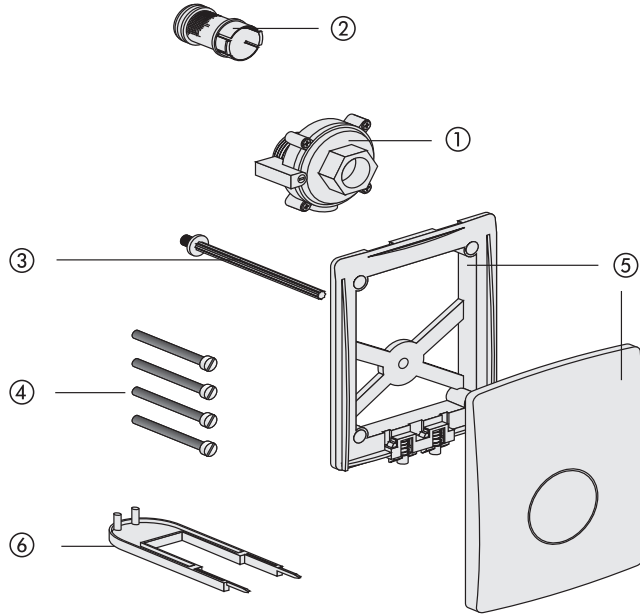




Urinal cover plate for hand-operated concealed flush valve with cartridge valve technology (APIS 6 SM) (from 04/2008)



No.	Name	Code No.	Recommended price/€
1	Pneumatic cartridge valve	03.341.00..0000	
2	Filter for cartridge valve technology	03.343.00..0000	
3	Pressure pin for urinal technology	04.012.00..0000	
4	Fastening screws M5 x 70 (4 pcs.)	03.107.00..0000	
5	Urinal cover plate with mounting frame white-alpin matt chrome brushed stainless steel	03.106.01..0000 03.106.93..0000 03.106.00..0000	
6	Removal tool for urinal-cover plate	02.992.00..0000	