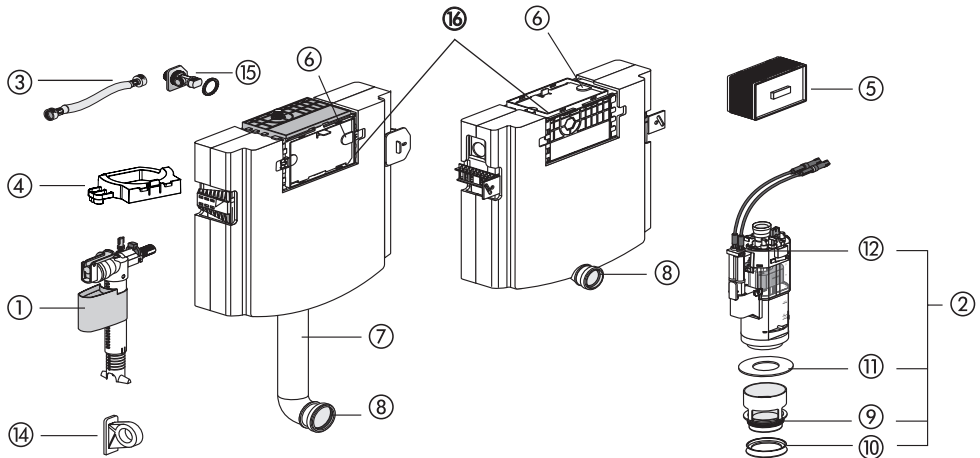
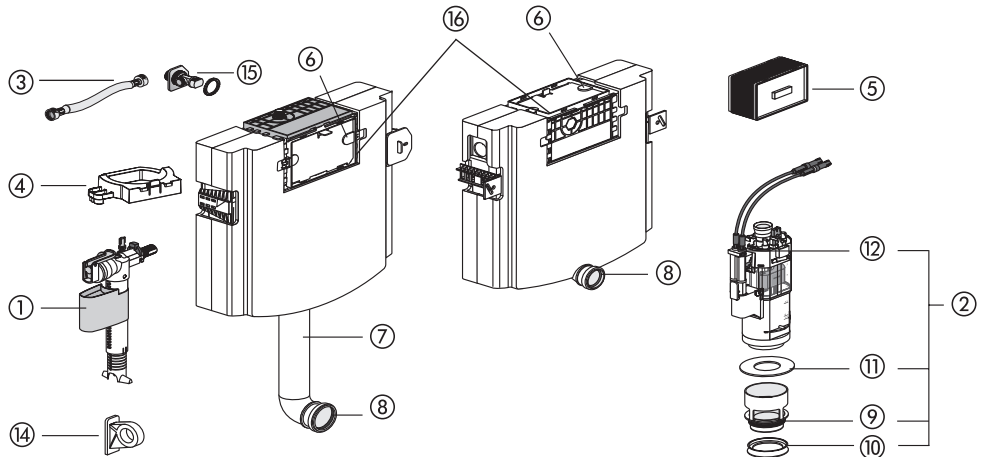


**UP-Spülkasten INEO, CC-122-S-UO(FO)-2V-2C, mit kleiner Revisionsöffnung, BH 985 / BH 820**



Nr.	Bezeichnung	Art.-Nr.	Unverb. Richtpreis/€
1	Universal-Füllventil 510, G 3/8 x 30 mm	25.001.00..0000	
2	Universal Ablaufarmatur INEO	03.982.00..0000	
3	Flexibler Schlauch DN6 280 mm	05.266.00..0000	
4	Niederhalter	04.293.00..0000	
5	Bauschutz L/B: 175 x 115 mm	16.030.00..0000	
6	Riegel	04.294.00..0000	
7	Spülbogen mit Lippendichtung (BH 985)	05.052.00..0000	
8	Lippendichtung ø 45	02.461.00..0000	
9	Rundring ø 55 x 5	02.436.00..0000	
10	Spülstromdrossel	02.758.00..0000	
11	Dichtring ø 31 x ø 63 x 2,8	02.754.00..0000	
12	Baugruppe Kabelbox	05.019.00..0000	
13 *	Start/Stopp-Set	03.999.00..0000	
14	Füllventilhalter	03.851.00..0000	
15	Eckventil Anschlusset R 1/2	05.247.00..0000	
16	Einschubrahmen inklusive Riegel	05.287.00..0000	

**Concealed cistern INEO, CC-122-S-UO(FO)-2V-2C, with small access opening, IH 985 / IH 820**



No.	Name	Code No.	Recommended price/€
1	Universal fill valve 510, G 3/8 x 30 mm	25.001.00..0000	
2	Universal flush valve INEO	03.982.00..0000	
3	Flexible hose DN6 280 mm	05.266.00..0000	
4	Positioning device	04.293.00..0000	
5	Pretection box, l/w 175 x 115 mm	16.030.00..0000	
6	Toggle	04.294.00..0000	
7	Flush pipe with lip seal (install. height 985)	05.052.00..0000	
8	Lip seal d: 45	02.461.00..0000	
9	O-Ring d: 55 x 5	02.436.00..0000	
10	Flush flow reducer	02.758.00..0000	
11	Sealing ring d: 31 x d: 63 x 2.8	02.754.00..0000	
12	Cable box	05.019.00..0000	
13 *	Start/stop set	03.999.00..0000	
14	Fill valve support	03.851.00..0000	
15	Angle valve connection set R 1/2	05.247.00..0000	
16	Slide-in frame incl. toggles	05.287.00..0000	