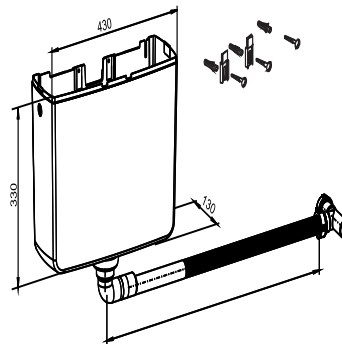
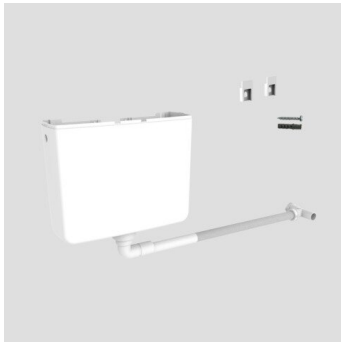


17.291.00..0000

SANIT Hose box Ineo Rim



Item number

17.291.00..0000

Product description

Hose box with non-return valve

for the drainage of dripping water from hand showers at bath edge fittings, mounting on solid walls, for horizontal integration into overflow pipes of bath outlet fittings d:32, consisting of hose box with rotatable flexible outlet pipe, branch DN 32 (d:32), non-return flap, with fastenings and installation instructions, packed in a box Accessories: - Module for concealed bath system with 3 and 4 valves and fittings code no. 17.290.00..0000